

DLI
8800

RUGGED MOBILE TABLET

Designed for the "go anywhere, do anything" mobile workforce. The DLI8800 represents the best in small-format rugged mobile computing at an affordable price for any business. Designed around an industrial Intel® processor, the DLI8800 supports the latest Windows IoT Enterprise or Android 6.0 Marshmallow operating systems.

Key features of the DLI8800 rugged tablet include:

Choice of Operating Systems, including: Windows® IoT Enterprise, Windows® Embedded 7/8, Windows® 7 32bit, Android 5.1.1, Linux Ubuntu

Dual 2.0 USB ports, Ethernet 10/100/1000 LAN, RS232 Port, Magnetic Stripe Reader,

Optional 1D/2D Standard Range Barcode Scanner

User-replaceable battery with bride battery support


User-programmable keys

Multiple radio communication; including an Intel a/b/g/n (ac) module, 3G cellular independence supporting Verizon®, AT&T®, and T-Mobile®, Bluetooth® 4.0 and Standalone GPS

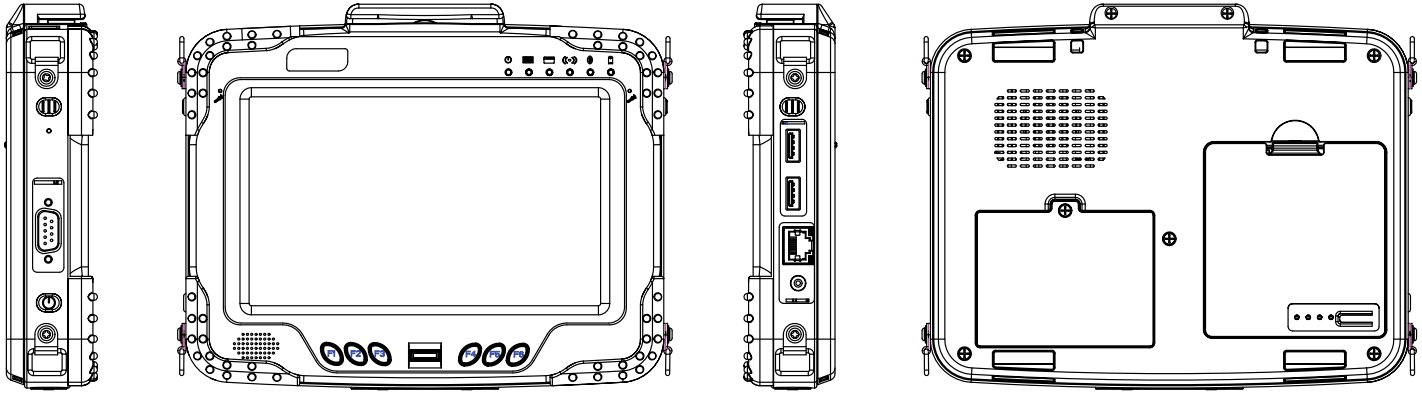
Housed in an impact resistant casing the DLI8800 is rated for multiple 4ft drops to concrete. Certified for IP54 protection against water and dust, the DLI8800 is designed to survive the demands of a harsh industrial environment. In the field, in a cab or on a forklift the DLI8800 provides your business the flexibility to collect and share data across the entire enterprise.



Intel® 1.6GHz Processor
7" indoor/outdoor touchscreen
barcode scanner • magstripe
RFID • GPS • Wi-Fi • 3G • Bluetooth®

 **computing without boundaries**

DLI 8800 MOBILE POS TABLET



System

- **Casing** - impact-resistant ABS+PC polymer, IP54 rated, multiple 4ft drops to bare concrete
- **Processor** - Intel® Z530 1.6Ghz
- **Chipset** - Intel® System Controller Hub US15W, L2 cache: 512KB, FSB: 533Mhz
- **Display** - 7" (1024x600) contrast ratio: 400:1
- standard display: 350 NIT widescreen LED backlit display
- **Touchscreen** - resistive (indoor/outdoor)
- **Video** - 256MB RAM
- **Audio** - Intel® high definition audio; integrated speaker
- **Memory** - 2GB DDR2 SODIMM 533Mhz
- **Storage** - SSD: 32GB, 64G
- **Operating System** - Windows® IoT Enterprise, Embedded 7/8, POS Ready® 2009, Windows® 7 32Bit, Android 5.1.1 Jelly Bean, Linux Ubuntu
- **Ports** - (2) USB 2.0 connectors, (1) RS232 port (+5V on Pin9), (1) Ethernet 10/100/1000, (1) pass through connector to cradle (2-USB, 1-RS232, 1-10/100/1000 Ethernet, 1-VGA), (2) RF pass through connectors to cradle
- **Barcode Scanner** - 1D/2D Imager (optional)
- **Magstripe Reader** - integrated 3 track, single head
- **RFID** - integrated reader ISO14443 (optional)
- **Keys** - (6) programmable keys, (2) barcode scanner keys (L & R side)
- **Security** - Intel® TPM1.2 Security module

Environmental

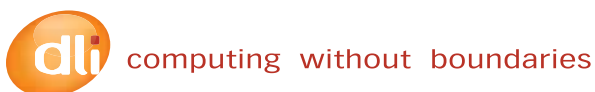
- **Temperature** - operating: +32°F to +122°F (0°C to +50°C)
- storage: -4°F to +149°F (-20°C to +65°C)
- **Impact** - multiple 4ft drops to bare concrete
- **Vibration** - 5~500Hz 1G PTP
- **Shock** - operating: 20G (11ms), non-operating: 40G (11ms), crash: 75G (11ms)
- **EMI/EMC** - FCC Class B, CE
- **Water/Dust** - IP54, dust: protected against dust, limited ingress; water: protected against sprays from all directions, limited ingress

Physical

- **Dimensions** - H: 6.29" (160mm), W: 8.26" (210mm), D: 1.41" (36mm)
- **Weight** - 2.3 lbs (with battery pack)
- **Warranty** - standard 1 year manufacturer's warranty
- available 1, 3 or 5 year No-Fault Service Coverage (optional)
- **Wi-Fi** - Intel 7260 a/b/g/n (a/c) module
- **WWAN** - 3G GPRS/CDMA Cellular Card (optional)
- available cellular carriers: Verizon®, AT&T®, T Mobile®
- **Bluetooth** - Intel 7260, BT4.0 LE – Smart Ready
- **Voice** - integrated dual microphones
- **Power** - removable battery pack: 2800mAh lithium ion battery
- Integrated bridge battery for hot swapping of main battery (30sec)
(*4-5hrs of usage @ level 7 brightness) *Wi-Fi, Bluetooth enabled

Accessories

- **Desktop Cradle** - (2) 2.0 USB, (1) Ethernet 10/100/1000 LAN, (1) VGA, (1) K-Lock, (1) keyed security lock
- **Vehicle Cradle** - (3) 2.0 USB, (1) RS232, (1) Ethernet (optional), (1) K-Lock, (2) RF Pass-through, (1) keyed security lock, 10-60V DC power regulating converter
- **3-Bay Battery Charger**
- **Cigarette Lighter Power Adapter**
- **Laptop-Style Carrying Case**
- **Handle**
- **Shoulder Strap**



mobile payment



wireless



dust



water



drop



vibration



extreme temps

